

Photovoltaic DC Products

EXD1

DC Disconnect Switch

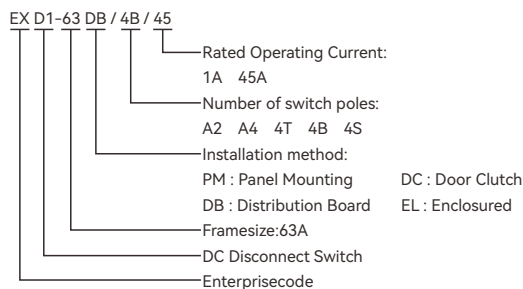


Application Scope

EXD1 series of DC disconnect switch is mainly applicable to the photo voltaic power plant systems, rated voltage of up to DC1500V, and rated current of up to 45 A.

DC disconnect switch to cut off the arc generated by DC electricity, avoid dangerous accidents and ensure safe operations.

Name Represents



Technical Parameters

Rated Voltage	DC1500V
Rated Thermal Current	45A
Rated Impulse Withstand Voltage	8kV
Rated Short-Time Withstand Current	1000A/1s
Single wire or Standard wire (mm ²)	4~6
Mechanical Life	10000
Electrical Life	1000
Number of Switch Poles	DC21B , PV1 , PV2
Utilization category	A2,A4,4T,4B,4S
Working Temperature	-40°C~+85°C
Storage Temperature	-40°C~+85°C
Pollution Degree	3
Overvoltage Category	II
IP Rating with Enclosure	IP66

Product Wiring Diagram

Poles Type						
Wiring Schematic Diagram						
Wiring Example Diagram						

Photovoltaic DC Products

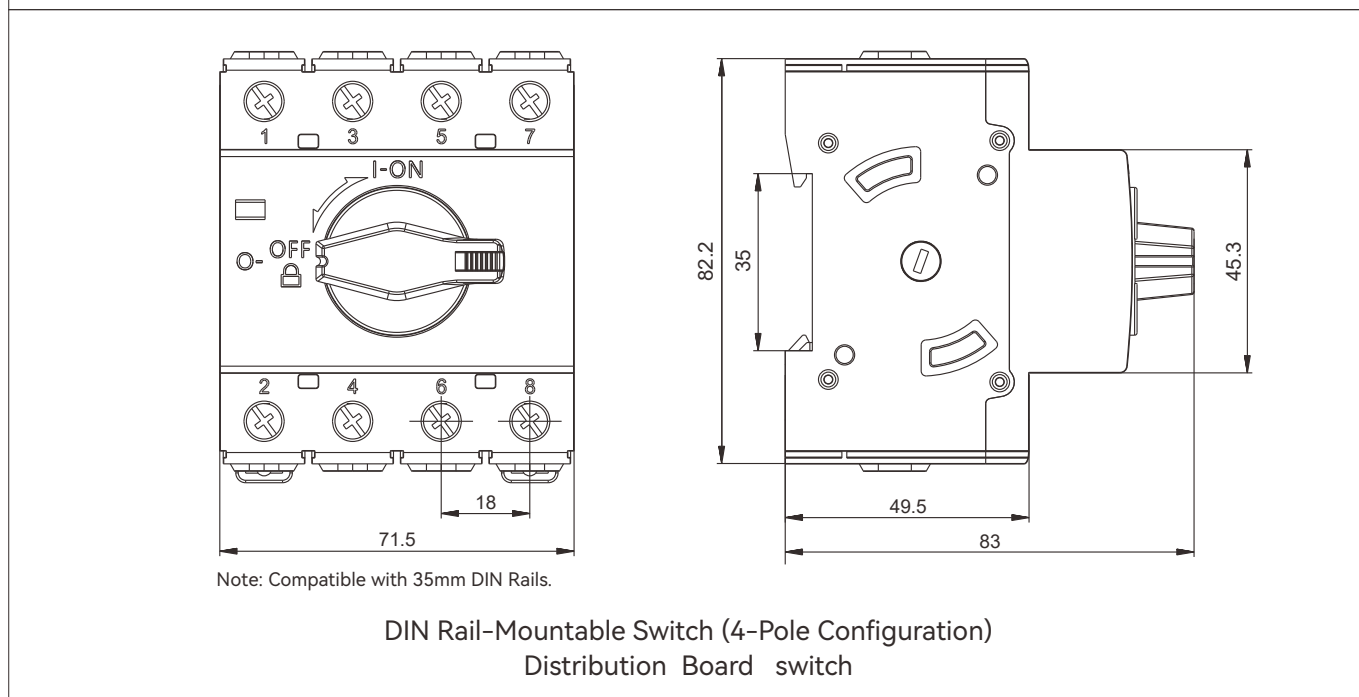
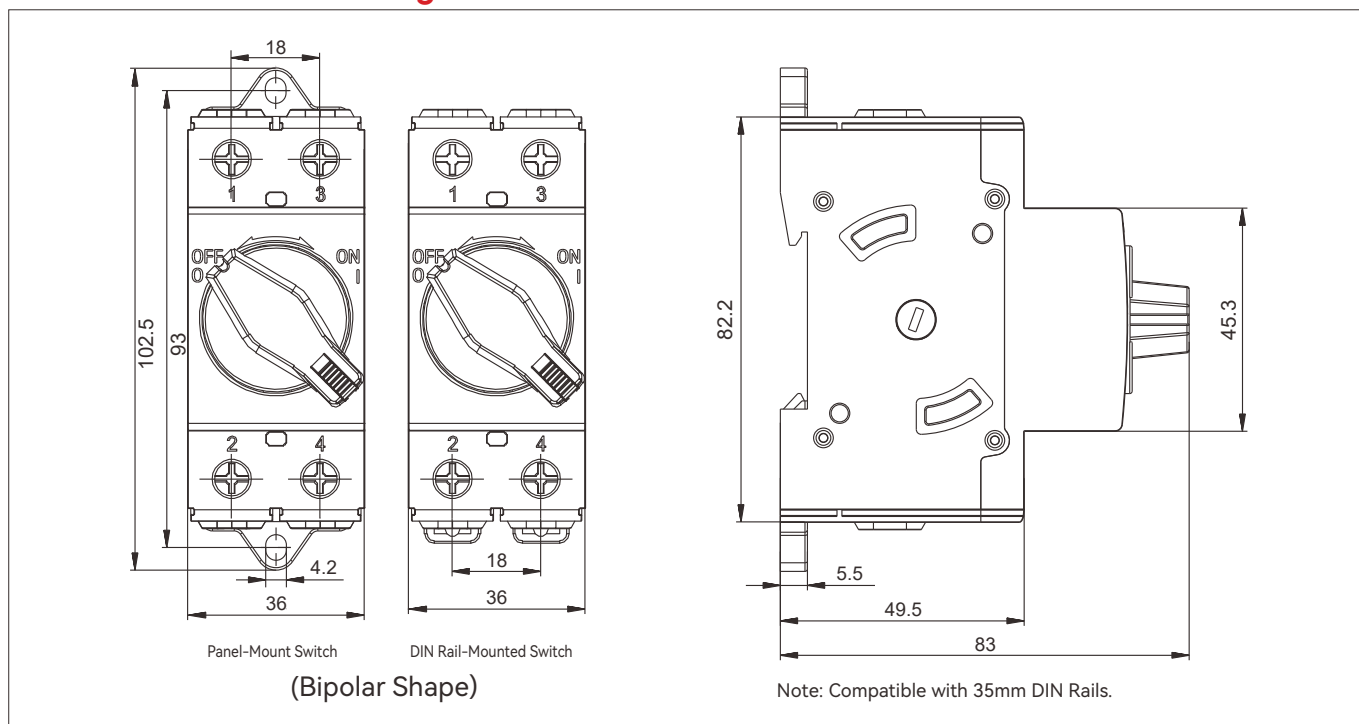
EXD1

DC Disconnect Switch

Switch Current Data

Rated Voltage	300VDC	600VDC	800VDC	1000VDC	1200VDC	1500VDC
Switch Poles						
A2	32A	32A	16A	9A	6A	2A
A4	32A	32A	16A	9A	6A	2A
4T	45A	45A	45A	45A	45A	25A
4B	45A	45A	45A	45A	45A	25A
4S	45A	45A	45A	45A	45A	25A

Product Dimension Drawing

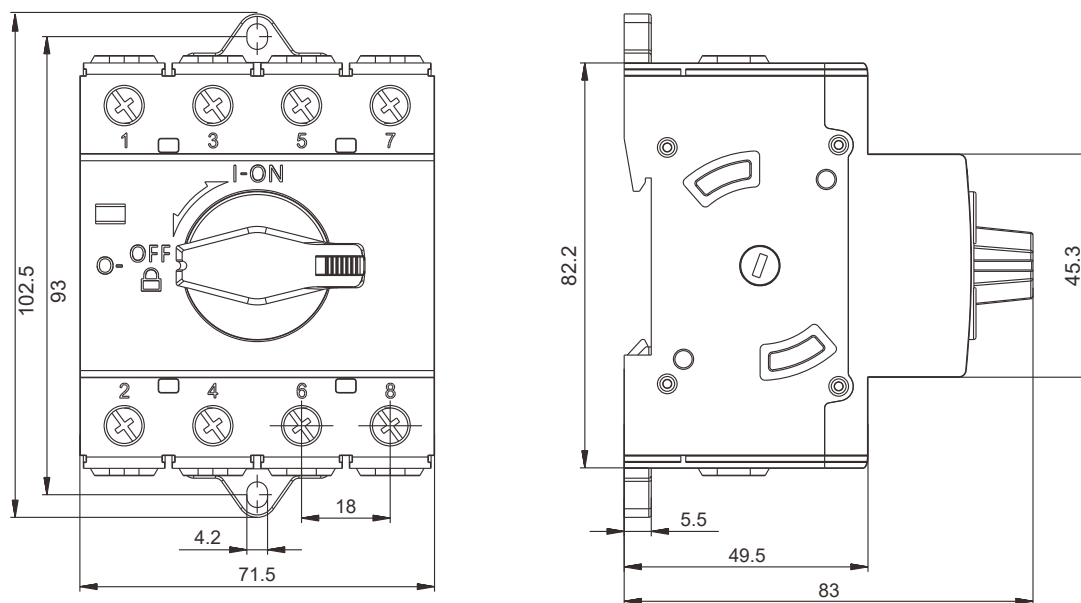


Photovoltaic DC Products

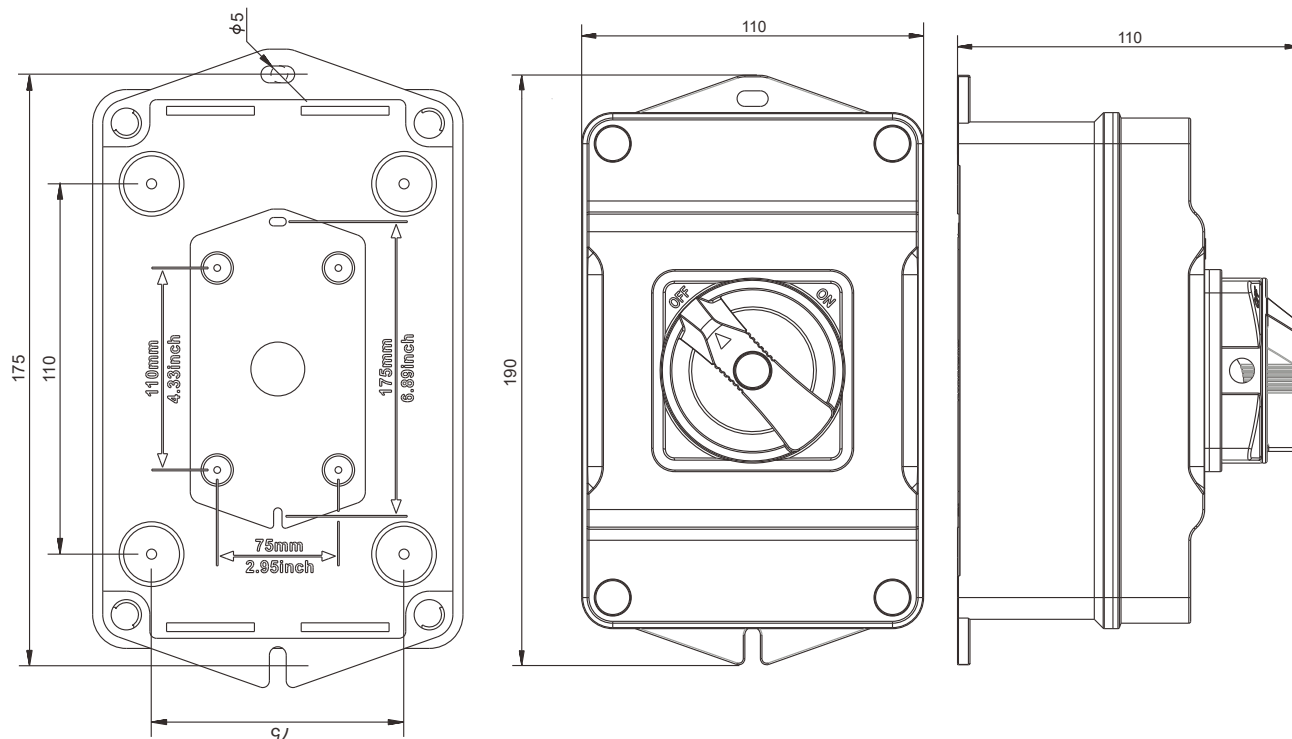
EXD1

DC Disconnect Switch

Product Dimension Drawing



Panel Mounting Switch (Four-Pole)



External switch
Enclosed switch